

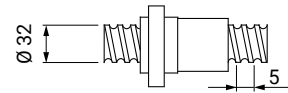


CNC Machining units CNC Bearbeitungseinheiten

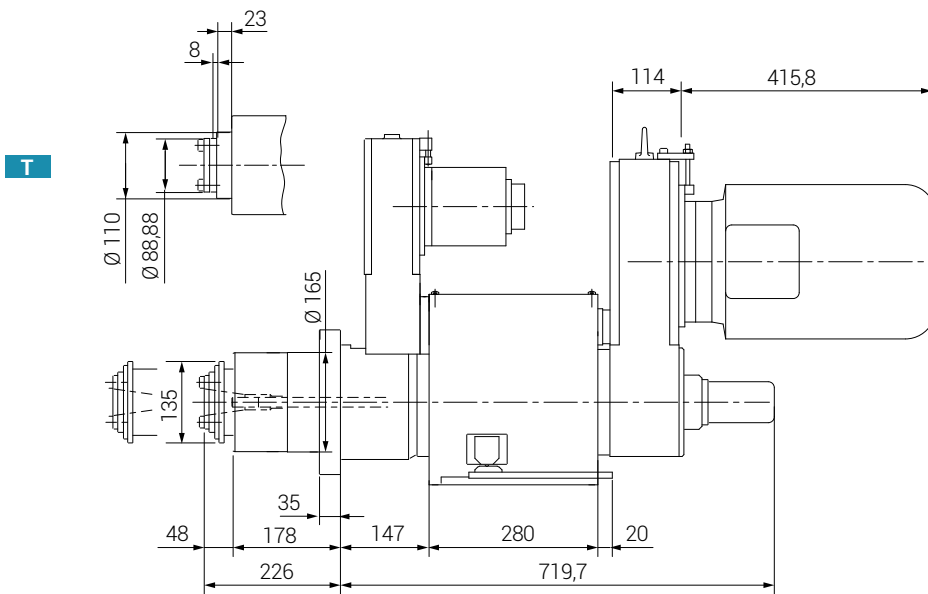
	THRUST VORSCHUBKRAFT	9700 N
	WEIGHT GEWICHT	140 Kg



CAPACITY IN STEEL R=60 LEISTUNG IN STAHL R=60 Ø 38/ M40	STROKE HUB 160 mm	TOOLHOLDER WERKZEUGAUFNAHME T= ISO 40	SPINDLE RPM (50HZ) / SPINDELREHZAHL <table border="1"> <tr><td>A</td><td>160</td><td></td></tr> <tr><td>B</td><td>200</td><td>R6P</td></tr> <tr><td>C</td><td>250</td><td></td></tr> <tr><td>D</td><td>300</td><td></td></tr> <tr><td>E</td><td>400</td><td>R4P</td></tr> <tr><td>F</td><td>500</td><td></td></tr> <tr><td>G</td><td>600</td><td></td></tr> <tr><td>H</td><td>800</td><td>6P</td></tr> <tr><td>I</td><td>1000</td><td></td></tr> <tr><td>J</td><td>1200</td><td></td></tr> <tr><td>K</td><td>1500</td><td>4P</td></tr> <tr><td>L</td><td>1800</td><td></td></tr> <tr><td>M</td><td>2000</td><td></td></tr> <tr><td>N</td><td>2400</td><td></td></tr> <tr><td>O</td><td>3000</td><td>2P</td></tr> <tr><td>P</td><td>3600</td><td></td></tr> <tr><td>Q</td><td>4000</td><td></td></tr> </table>	A	160		B	200	R6P	C	250		D	300		E	400	R4P	F	500		G	600		H	800	6P	I	1000		J	1200		K	1500	4P	L	1800		M	2000		N	2400		O	3000	2P	P	3600		Q	4000	
A	160																																																					
B	200	R6P																																																				
C	250																																																					
D	300																																																					
E	400	R4P																																																				
F	500																																																					
G	600																																																					
H	800	6P																																																				
I	1000																																																					
J	1200																																																					
K	1500	4P																																																				
L	1800																																																					
M	2000																																																					
N	2400																																																					
O	3000	2P																																																				
P	3600																																																					
Q	4000																																																					
DXE 42 /160 /.. /.. /..			CHAIN WITH REDUCER GETRIEBEBETTE																																																			

MOTOR / MOTOR			
207	=	100	- 3,00 kW 2P
407	=	100	- 2,2 kW 4P
609	=	112	- 2,2 kW 6P

Max frame 112 / Max Größe 112



ACCESSORIES

- Multi spindle heads
- Provision for brushless motor
- Provision for spindle motor

ZUBEHÖR

- Mehrspindelköpfe
- Vorbereitung für Servomotor
- Vorbereitung für Spindel